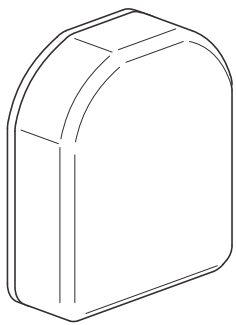
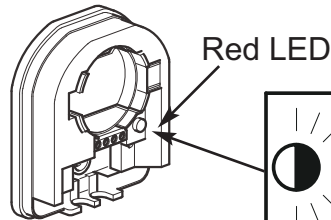


EU
xComfort CBEU-02/02



| | |
|--|-----------------|
| | T=-25°C - +70°C |
| | T=+5°C - +40°C |

IP20

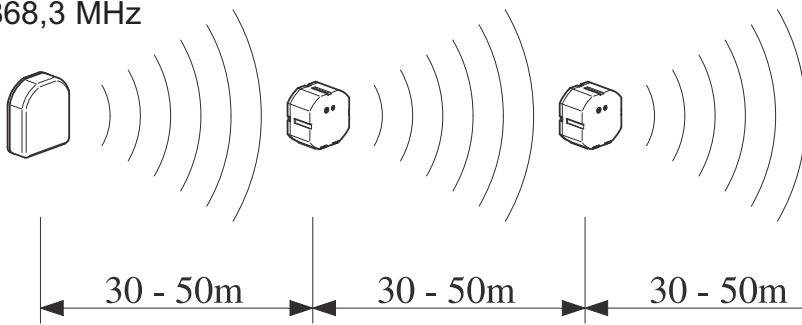


| | | | | |
|--|----|----|----|----|
| | | | | |
| | M1 | M2 | M3 | M4 |
| | 1x | 2x | 3x | 4x |

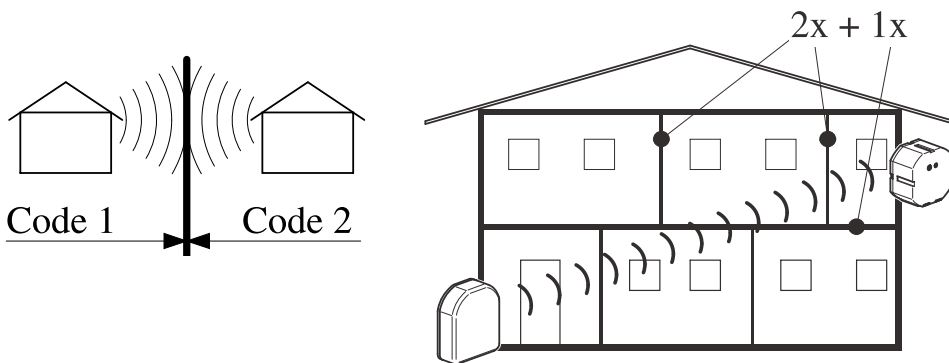
Before to create the RF link

- STEP1: Set mode (1..4) on CBEU
- STEP2: Set actuator to teach-in mode
- STEP3: Close contact (look at details on page 3)
- STEP4: Set actuator to normal operation mode

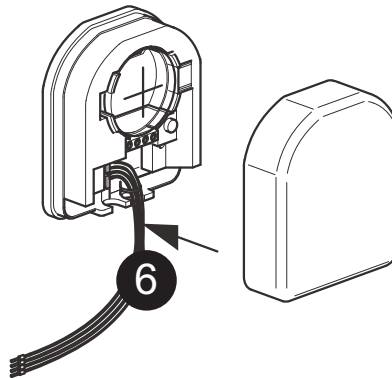
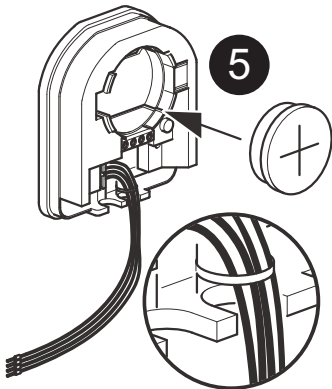
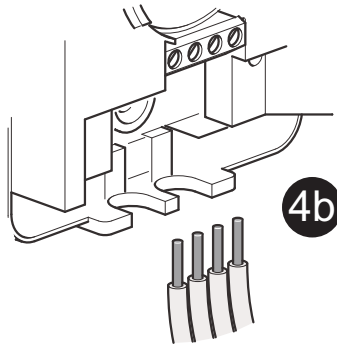
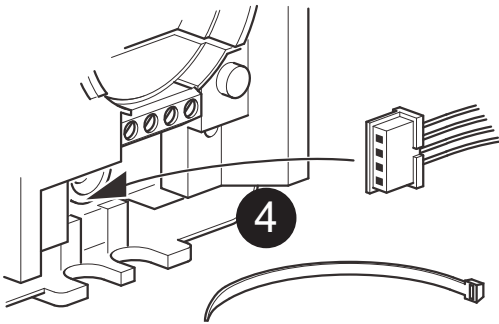
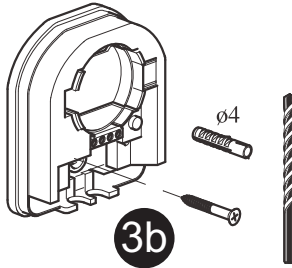
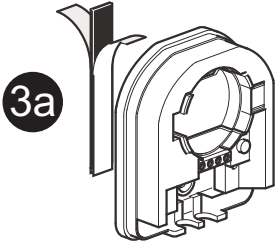
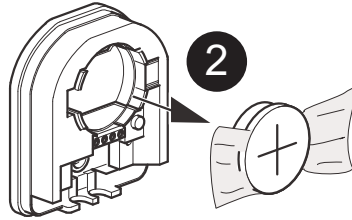
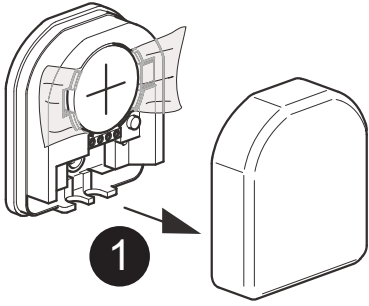
868,3 MHz



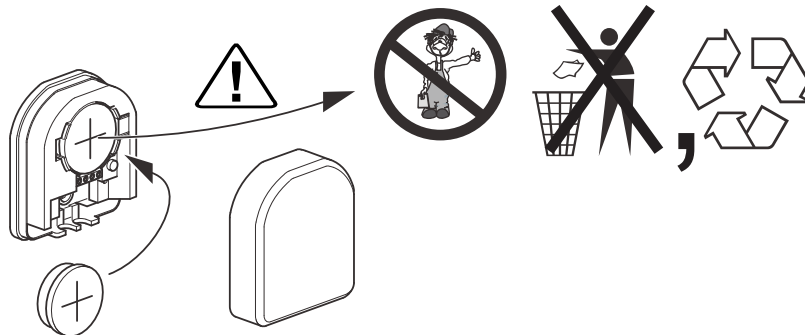
| | |
|--|-------------------|
| | Min. Version 1.09 |
| | Min. Version 3.5 |



| | | | | | |
|--|------------|------------|------------|-----------|------------|
| | | | | | |
| | ca. 60-90% | ca. 80-95% | ca. 20-60% | ca. 0-10% | ca. 70-90% |



| | |
|--|---------------------|
| | 1,5 mm ² |
| | 5 mm |



3V-CR2477N



Declaration of Conformity

We, EATON Industries (Austria) GmbH
3943 Schrems, Eugenia 1
Austria

declare under our sole responsibility that the product (family)

Eaton - Binary input with battery power supply, CBEU-02/02

(the declaration of conformity applies to all listed types within our actual product catalogue)

provided that it is installed, maintained and used in the application intended for, with respect to the relevant manufacturers instructions, installation standards and "good engineering practices"

complies with the provisions of Council directive(s):

RED Directive 2014/53/EU

RoHS Directive 2011/65/EU

based on compliance with following standard(s):

EN 301489-3 V2.1.1, EN 300220-2 V3.1.1, EN 50491-5-1:2010,
EN 50491-5-2:2010, EN 60950-1:2006 + A11:2009 + A1:2010 +
A12:2011 + A2:2013, EN 62479:2010, EN 50581:2012



EU- type examination performed by:
TUV Austria Services GmbH, Notified Body
1230 Vienna, Deutschstrasse 10, Austria

Affixing date of CE mark: 2003
Doc.Id.: CBEU-0202_171117

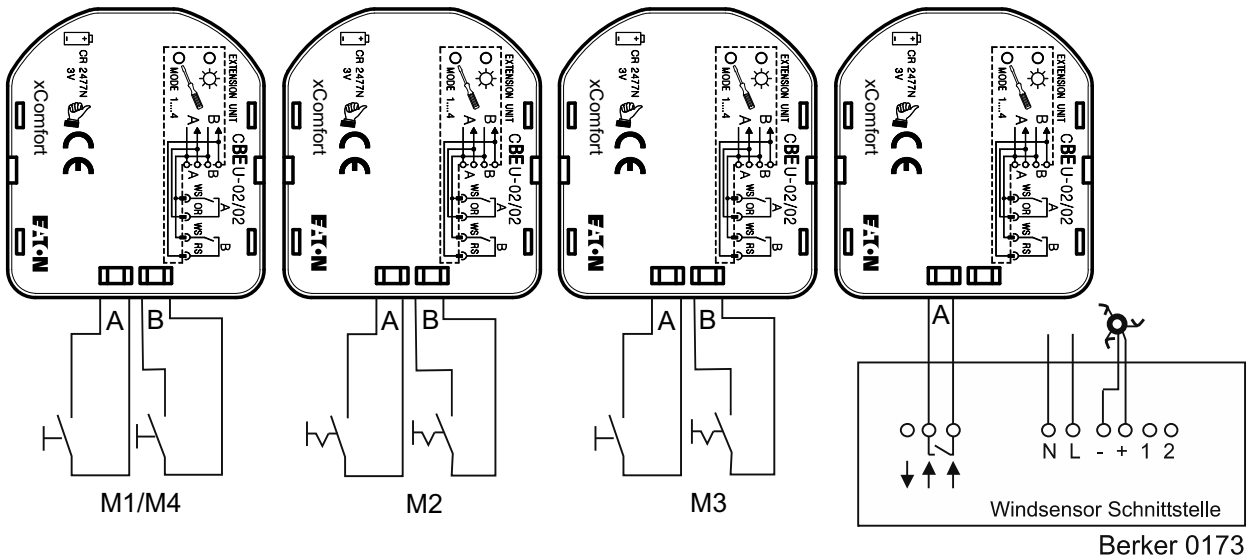
Fernando Ceccarelli

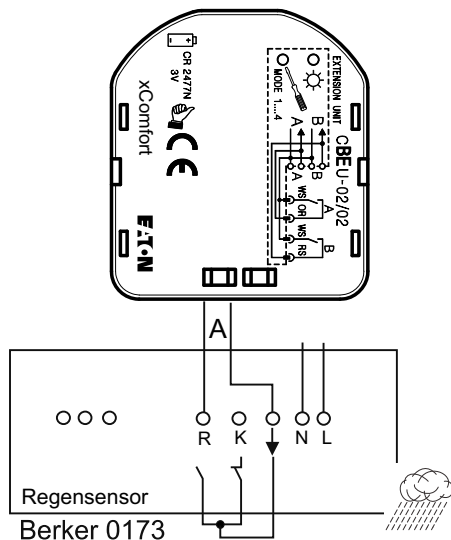
Senior Vice President
General Manager

17.11.2017

Friedrich Schröder

Director Quality
& Systems





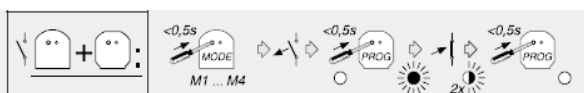
Configuration of CBEU

Symbols:

LED is on
 LED flashes 5 times
 LED is on
 Lamp (LED) is on
 Lamp (LED) is on

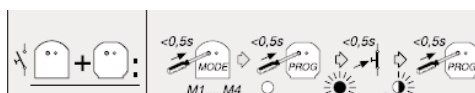
1. Make connection

ASSIGN SWITCH MODE (MODE 2)



1. Press the config button on CBEU (230 V version requires screwdriver) to select switch mode (Mode 2), LED flashes 2x
2. Open contact of the binary input
3. Press the config button on actuator with a screwdriver shorter than 0,5 sec => actuator enters teach-in mode, the LED in the actuator is on
4. Close contact of the binary input
5. The LED in the actuator flashes 2x for confirmation
6. Press the config button on actuator shorter than 0,5 sec => actuator leaves teach-in mode

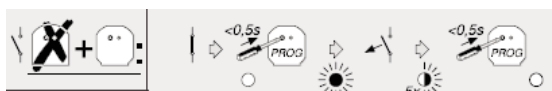
ASSIGN PUSH BUTTON MODE (MODE 1)



1. Press the config button on CBEU (230V version requires a screwdriver) to select push button mode (mode 1), LED flashes 1x
2. Press the config button on actuator with a screwdriver shorter than 0,5 sec => actuator enters teach-in mode, the LED in the actuator is on
3. Press pushbutton on the contacts of the binary input shorter than 0,5 sec
4. The LED in the actuator flashes 2x for confirmation
5. Press the config button on actuator shorter than 0,5 sec => actuator leaves teach-in mode

2. Delete connection selectively

DELETE SWITCH MODE (MODE2)



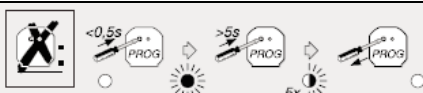
1. Press the config button on actuator with screwdriver shorter than 0,5 => actuator enters teach-in mode, the LED in the actuator is on
2. Open contact of the CBEU
3. Wait until the LED in the actuator has flashed 5 x
4. Press the config button on actuator shorter than 0,5 sec => actuator leaves teach-in mode

DELETE PUSH BUTTON MODE (MODE2)



1. Press the config button on actuator with a screwdriver shorter than 0,5 => actuator enters teach-in mode, the LED in the actuator is on
2. Press pushbutton on the contact of the binary input until LED has flashed 5 x
3. Press the config button with a screwdriver shorter than 0,5 sec => actuator leaves teach-in mode

3. Reset actuator



1. Press the config button with a screwdriver shorter than 0,5 sec => actuator enters teach-in mode, the LED in the actuator is on
2. Press the config button with a screwdriver until LED has flashed 5 x
3. The actuator leaves teach-in mode automatically after some seconds

